



6HGF SERIES

10 to 20kV, 2.25 to 2.50A, 350nS
Rectifier Blocks with Mounting Slots



Features

- Epoxy Molded Encapsulation
- Threaded Brass Solder Terminal Inserts

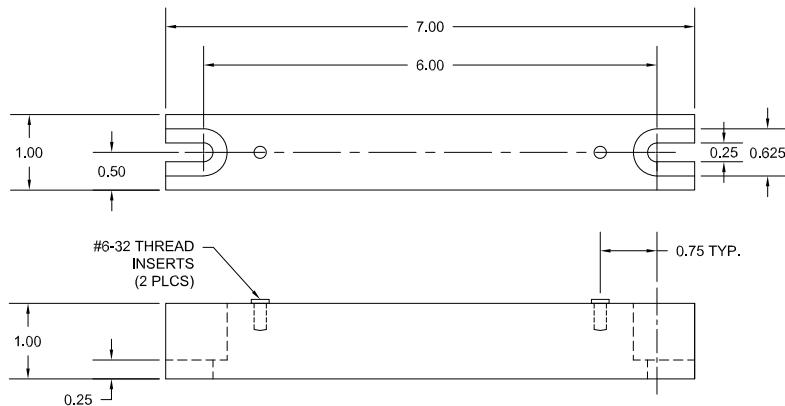
Specifications¹

Part Number	V _{RRM} V	I _{FAVM} A	V _F V	I _R μA	I _{FSM} A	T _{RR} nS
6HGF10	10000	2.50	12	5	200	350
6HGF15	15000	2.50	18	5	200	350
6HGF20	20000	2.25	24	5	200	350

Temperature °C	
Operating Temperature	-55 to 150
Storage Temperature	-55 to 150

¹25°C ambient temperature unless stated otherwise.

Drawings



Dimensions in inches, tolerances ±0.020 except as noted

Specification Definitions

Specifications	Conditions
V _{RRM} Maximum Repetitive Reverse Voltage	-
I _{FAVM} Maximum Average Forward Current	At T _A = 55°C
V _F Maximum Forward Voltage Drop	At I _{FAVM}
I _R Maximum Leakage Current	At V _{RRM}
I _{FSM} Maximum Surge Current	At 8.3 mS, Single Half Sine
T _{RR} Maximum Reverse Recovery Time	I _F = 0.5A; I _R = -1.0A; I _{RR} = -0.25A

Note: Specifications subject to change without notice. Photo is representation only.

