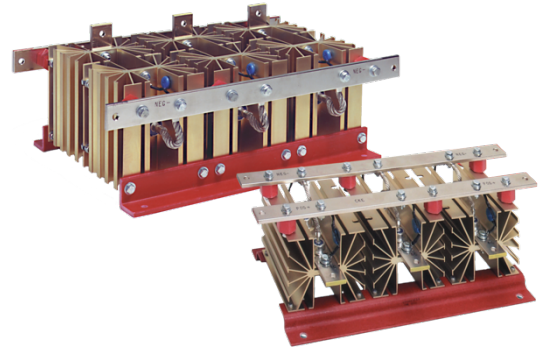




CT SERIES

50 to 1000A, 400 to 1600V
Three Phase Full Wave Bridges



Features

- High Current Assembly

Specifications

Part Number	Values							Drawing
	Peak Repetitive Reverse Voltage Per Leg	Maximum Applied Input Voltage	Maximum Leakage Current		Maximum Forward Voltage Drop At 40°C, at Rated Output Current	Maximum Average Output Current At 40°C, Forced Air Cooling at 800 LFM	Maximum Peak Surge Current At 8.3mS, T _J = 150°C	
	V _{RRM} (V)	V _{RMS} (V)	I _R At V _{RMS} (µA)	I _R At V _{RMS} , 25°C (µA)	V _F (V)	I _{FAVM} (A)	I _{FSM} (A)	#
CT50G2AA40	400	120	100	1000	1.5	50	500	Figure 1
CT50G2AA60	600	200	100	1000	1.5	50	500	Figure 1
CT50G2AA80	800	277	100	1000	1.5	50	500	Figure 1
CT50G2AA100	1000	350	100	1000	1.5	50	500	Figure 1
CT50G2AA120	1200	420	100	1000	1.5	50	500	Figure 1
CT150K3AA40	400	120	100	1000	1.5	150	1200	Figure 2
CT150K3AA60	600	200	100	1000	1.5	150	1200	Figure 2
CT150K3AA80	800	277	100	1000	1.5	150	1200	Figure 2
CT150K3AA100	1000	350	100	1000	1.5	150	1200	Figure 2
CT150K3AA120	1200	560	100	1000	1.5	150	1200	Figure 2
CT300K3AA40	400	140	100	1000	1.5	300	3600	Figure 2
CT300K3AA60	600	200	100	1000	1.5	300	3600	Figure 2
CT300K3AA80	800	277	100	1000	1.5	300	3600	Figure 2
CT300K3AA100	1000	350	100	1000	1.5	300	3600	Figure 2
CT300K3AA120	1200	420	100	1000	1.5	300	3600	Figure 2
CT300K3AA160	1600	560	100	1000	1.5	300	3600	Figure 2
CT400K6AA40	400	140	100	1000	1.5	400	3600	Figure 3
CT400K6AA60	600	200	100	1000	1.5	400	3600	Figure 3
CT400K6AA80	800	277	100	1000	1.5	400	3600	Figure 3
CT400K6AA100	1000	350	100	1000	1.5	400	3600	Figure 3
CT400K6AA120	1200	420	100	1000	1.5	400	3600	Figure 3
CT400K6AA160	1600	560	100	1000	1.5	400	3600	Figure 3
CT500K6AA40	400	140	100	1000	1.5	500	6850	Figure 3
CT500K6AA60	600	200	100	1000	1.5	500	6850	Figure 3
CT500K6AA80	800	277	100	1000	1.5	500	6850	Figure 3
CT500K6AA100	1000	350	100	1000	1.5	500	6850	Figure 3
CT500K6AA120	1200	420	100	1000	1.5	500	6850	Figure 3
CT500K6AA160	1600	560	100	1000	1.5	500	6850	Figure 3
CT700U6AA40	400	140	100	1000	1.5	700	6850	Figure 4
CT700U6AA60	600	200	100	1000	1.5	700	6850	Figure 4
CT700U6AA80	800	277	100	1000	1.5	700	6850	Figure 4
CT700U6AA100	1000	350	100	1000	1.5	700	6850	Figure 4
CT700U6AA120	1200	420	100	1000	1.5	700	6850	Figure 4



CT SERIES

Part Number	Peak Repetitive Reverse Voltage Per Leg	Maximum Applied Input Voltage	Maximum Leakage Current		Maximum Forward Voltage Drop At 40°C, at Rated Output Current	Maximum Average Output Current At 40°C, Forced Air Cooling at 800 LFM	Maximum Peak Surge Current At 8.3mS, T _J = 150°C	Drawing
	V _{RRM} (V)	V _{RMS} (V)	I _R At V _{RMS} (μA)	I _R At V _{RMS} , 25°C (μA)	V _F (V)	I _{FAVM} (A)	I _{FSM} (A)	#
CT700U6AA160	1600	560	100	1000	1.5	700	6850	Figure 4
CT1000V6AA40	400	140	100	1000	1.5	1000	10960	Figure 5
CT1000V6AA60	600	200	100	1000	1.5	1000	10960	Figure 5
CT1000V6AA80	800	277	100	1000	1.5	1000	10960	Figure 5
CT1000V6AA100	1000	350	100	1000	1.5	1000	10960	Figure 5
CT1000V6AA120	1200	420	100	1000	1.5	1000	10960	Figure 5
CT1000V6AA160	1600	560	100	1000	1.5	1000	10960	Figure 5

Case Outline and Dimensions

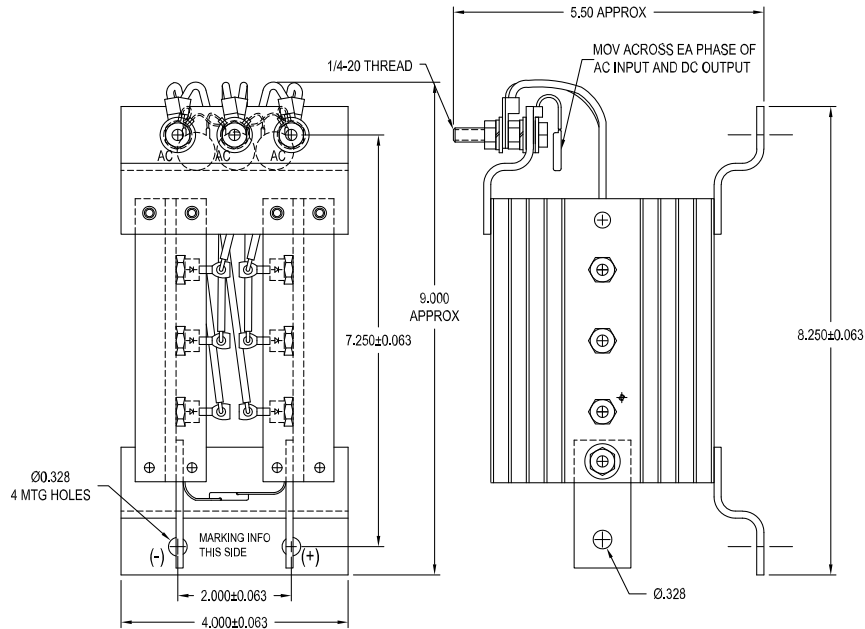


Figure 1
For Models CT50G2AA40 to CT50G2AA120



CT SERIES

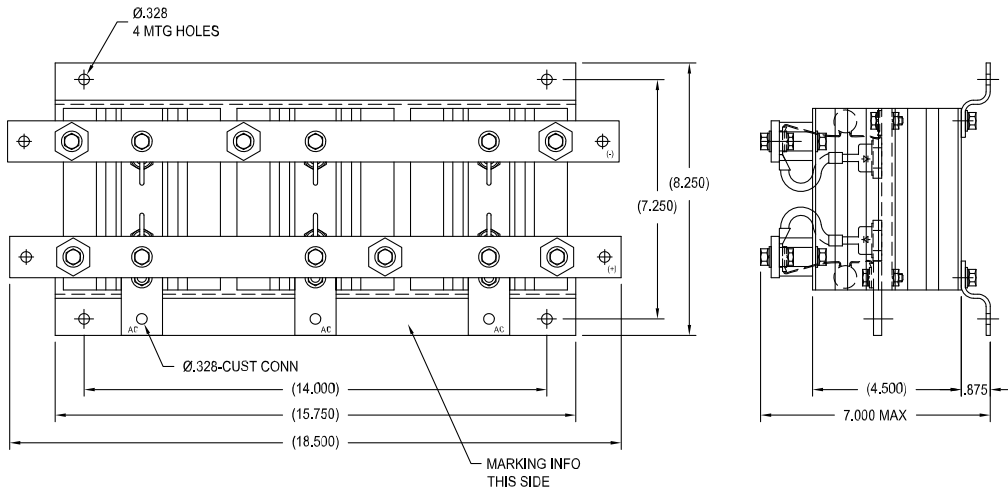


Figure 2
For Models **CT150K3AA40** to **CT300K3AA160**

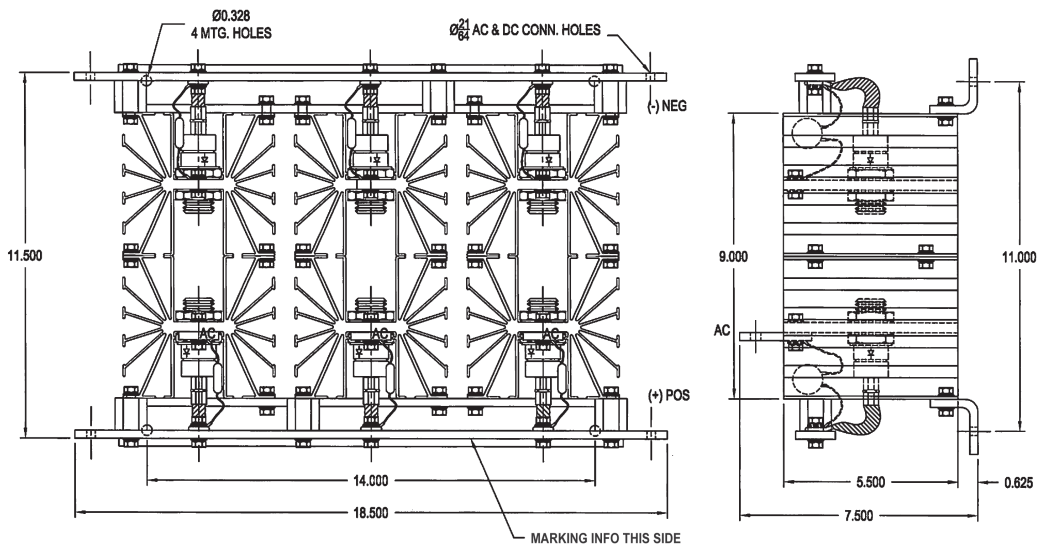


Figure 3
For Models **CT400K6AA40** to **CT500K6AA160**



CT SERIES

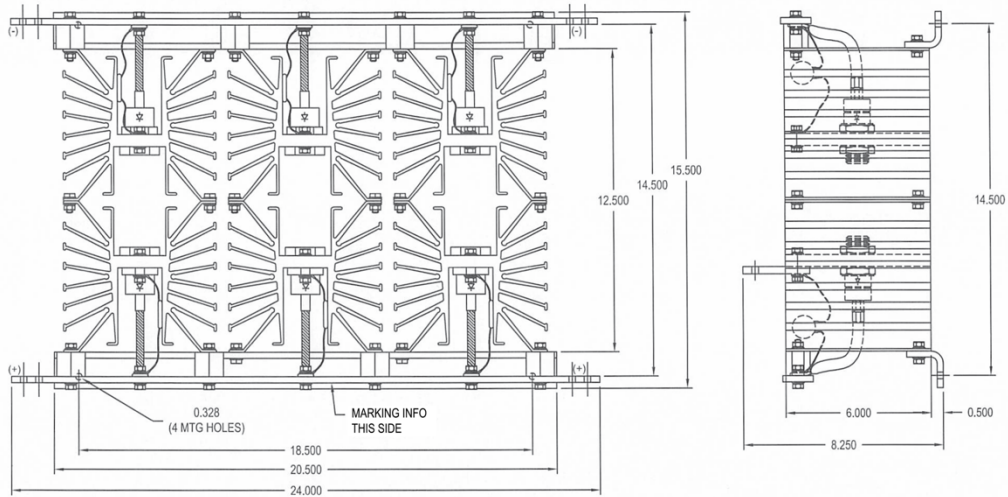


Figure 4
For Models **CT700U6AA40** to **CT700U6AA160**

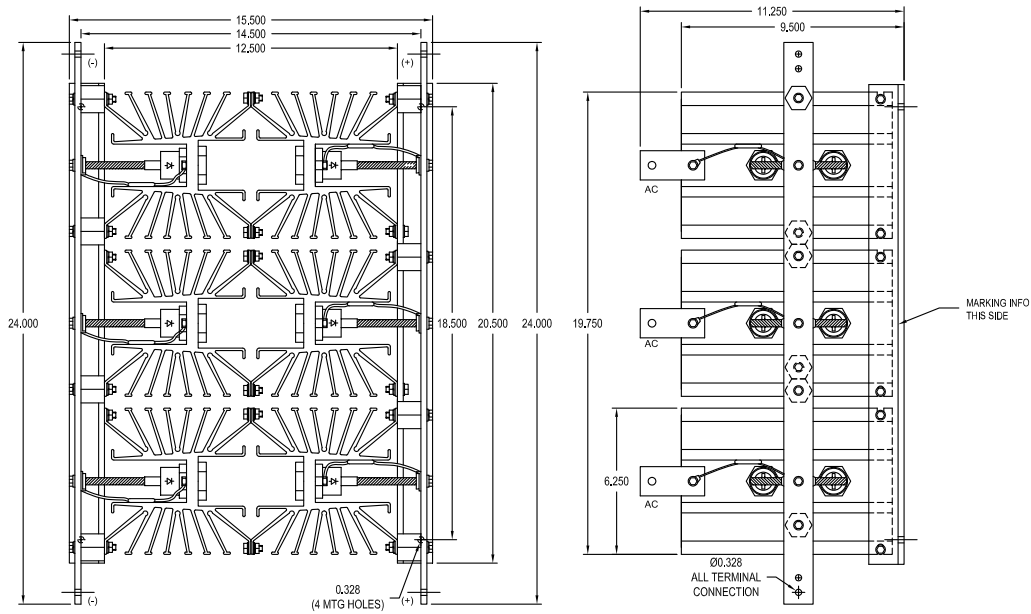


Figure 5
For Models **CT1000V6AA40** to **CT1000V6AA160**



Note: Specifications subject to change without notice. Photo is representation only.