



HE1 SERIES

Surge Protective Device Type 1
25 – 50 kA per Phase

Surge Protection Devices (SPDs), designed to protect Single Phase electrical distribution systems against the risk of harmful effects of transient surges.

- Direct and indirect lightning strikes
- Power company load switching

Typical Applications:

- Outdoor/Indoor and commercial LED lighting
- Telecommunication equipment
- Medical electronics
- Security & Alarm equipment
- Manufacturing Facilities
- Other Critical Electronic Equipment

Features:

- UL 1449 4th Type 1 SPDs with SCCR up to 200 kArms without external Fuse or CB
- Patented SCCR 200 kArms thermally protected MOV technology (TPMOV) as core component
- Full modes protection
- High surge energy capability with compact size
- Low voltage protection rating
- NEMA 4X enclosure
- Degradation failure indication.



Specifications:

Certification	ANIS/UL 1449 4 th edition Type 1
Connection Type	Parallel Connected
Surge Capacity	25 - 50kA per Phase
Nominal discharge current in	10 kA
SCCR	200 kArms
Power Status Indication	Normal = LED ON
Working Status Indication	Fail = LED OFF
Connection Wire	12 AWG , 300 mm (11.8") length, (L = black; N = white; PE = green)
Working Environments	Temperature -40°C to +75°C, Humidity relative 5-95% (25°C), Altitude ≤ 3km
Dimensions, W x D x H	90 x 58 x 41 mm
Enclosure	Plastic enclosure, NEMA 4X
Threaded NPT	1/2" NPT
Net Weight (typical value)	0.18 kg



Technical Data:

Model Number	System Voltage (50/60Hz)	In (kA)	Voltage Protection Mode Ratings (VPR @ 6kV/3kA)				MCOV	Fig.
			L-N	L-G	N-G	L-L		
HE1120P11PT1	120/240V SP	10	-	700	-	1500	150/300*	1
HE1120P12PT1	120/240V SP	10	-	700	-	1200	150/300*	1
HE1240P11PT1	240/480V SP	10	-	1200	-	2500	320/640*	1
HE1240P12PT1	240/480V SP	10	-	1200	-	1800	320/550*	1
HE1127S11PT1	127V S	10	1400	700	700	-	150	2
HE1127S12PT1	127V S	10	700	700	700	-	150	2
HE1277S11PT1	277V S	10	2500	1200	1200	-	320	2
HE1277S12PT1	277V S	10	1200	1200	1200	-	320	2
HE1347S11PT1	347V S	10	3000	1500	1500	-	420	2
HE1347S12PT1	347V S	10	1500	1500	1500	-	420	2

**Note: With TP MOV Combination Per Phase Configuration. See Chart Below.*

Configuration:

	11	12
TPMOV Combination	25kA/Phase	50kA/Phase

Configure & Ordering Information:

Part Number: HE 1 120 P 12 P T 1 1 2 3 4 5 6 7	3. Voltage Code: 120 127 240 277 347	4. System Configuration S - Single Phase P - Split Phase	5. TP MOV Combination 11 12
1: Product ID: HE – Hulk Series			6. Material: P - Plastic
2: Series Category: 1 – HE1			7. SPD Type: T1 - Type 1 T2 – Type 2
			8. Options:



Fig. 1

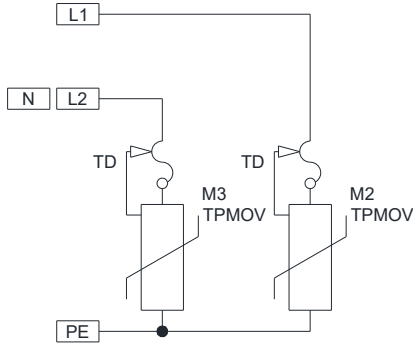
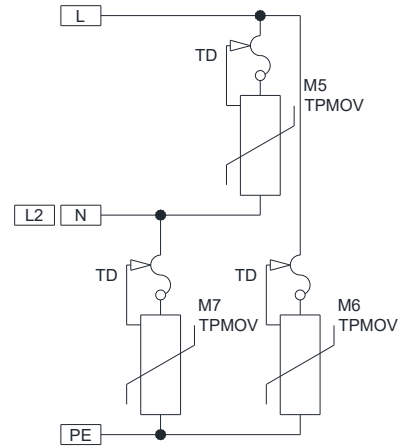
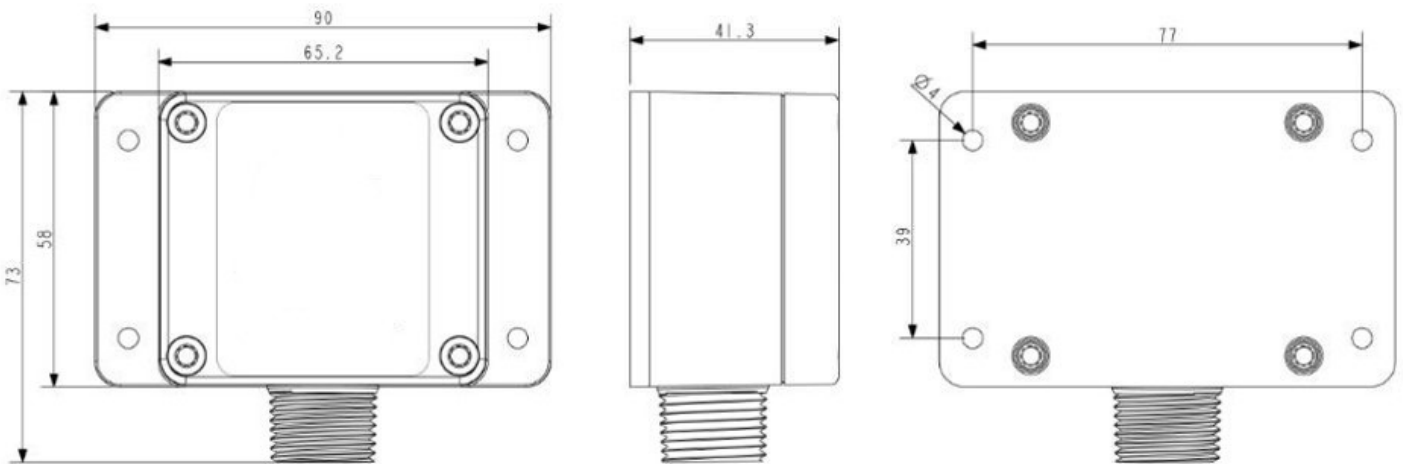


Fig. 2



Dimensions:



Certification:

