



HE2 SERIES

Surge Protective Device Type 1 and Type 2
50 kA per Phase

Surge Protection Devices (SPDs), designed to protect Single and Multi-Phase electrical distribution systems against the risk of harmful effects of transient surges.

- Direct and indirect lightning strikes
- Power company load switching

Typical Applications:

- Outdoor/Indoor and commercial LED lighting
- Telecommunication equipment
- Medical electronics
- Security & Alarm equipment
- Manufacturing Facilities
- Other Critical Electronic Equipment

Features:

- UL 1449 4th Type 1 SPDs with SCCR up to 200 kArms without external fuse or CB
- UL 1449 4th Type 2 SPDs with Sine Wave Tracking, SCCR 200 kArms
- Patented SCCR 200 kArms thermally protected MOV technology (TPMOV) as core component
- Full modes protection
- High surge energy capability with compact size
- Low voltage protection rating
- NEMA 4X enclosure with Threaded NPT
- Degradation failure indication.



Specifications:

Certification	ANIS/UL 1449 4 th edition Type 1 / Type 2
Connection Type	Parallel Connected
Surge Capacity	50 kA per Phase
Nominal discharge current In	10 kA
SCCR	200 kArms
Power Status Indication	Power LED On
Working Status Indication	Fail = Surge Protection LED On
Connection Wire	12 AWG, 300 mm (11.8") Length, (L1 = black; L2 = red; L3 = blue; N = white; PE = green)
Working environments	Temperature -40°C to +75°C, Humidity relative 5-95% (25°C), Altitude ≤ 3km
Dimensions, W x D x H	162 x 80 x 76 mm
Enclosure	Plastic enclosure, NEMA 4X
Threaded NPT	1/2" NPT
Net Weight (typical value)	0.47 kg



Technical Data:

Model Number	System Voltage (50/60Hz)	In (kA)	Voltage Protection Ratings (VPR @ 6kV/3kA)				MCOV	Fig.
			L-N	L-G	N-G	L-L		
HE2120P12PT1A	120/240V SP	10	700	700	700	1200	150/300*	1
HE2120P12PT2A	120/240V SP	10	700	700	700	1200	150/300*	1
HE2240P12PT1A	240/480V SP	10	1200	1200	1200	2000	320/550*	1
HE2240P12PT2A	240/480V SP	10	1200	1200	1200	2000	320/550*	1
HE2120S12PT1A	120V S	10	700	700	700	-	150	2
HE2120S12PT2A	120V S	10	700	700	700	-	150	2
HE2127S12PT1A	127V S	10	700	700	700	-	150	2
HE2127S12PT2A	127V S	10	700	700	700	-	150	2
HE2240S12PT1A	240V S	10	1200	1200	1200	-	320	2
HE2240S12PT2A	240V S	10	1200	1200	1200	-	320	2
HE2277S12PT1A	277V S	10	1200	1200	1200	-	320	2
HE2277S12PT2A	277V S	10	1200	1200	1200	-	320	2
HE2347S12PT1A	347V S	10	1500	1500	1500	-	420	2
HE2347S12PT2A	347V S	10	1500	1500	1500	-	420	2
HE2127Y12PT1A	220Y/127V Y	10	700	700	700	1200	150	3
HE2127Y12PT2A	220Y/127V Y	10	700	700	700	1200	150	3
HE2120Y12PT1A	208Y/120V Y	10	700	700	700	1200	150	3
HE2120Y12PT2A	208Y/120V Y	10	700	700	700	1200	150	3
HE2240Y12PT1A	415Y/240V Y	10	1200	1200	1200	2000	320	3
HE2240Y12PT2A	415Y/240V Y	10	1200	1200	1200	2000	320	3
HE2277Y12PT1A	480Y/277V Y	10	1200	1200	1200	2000	320	3
HE2277Y12PT2A	480Y/277V Y	10	1200	1200	1200	2000	320	3
HE2347Y12PT1A	600Y/347V Y	10	1500	1500	1500	2500	420	3
HE2347Y12PT2A	600Y/347V Y	10	1500	1500	1500	2500	420	3
HE2120H12PT1A	120/240V HL	10	700/1200	700/1200	700	1200/2000	150/320	3
HE2120H12PT2A	120/240V HL	10	700/1200	700/1200	700	1200/2000	150/320	3
HE2240H12PT1A	240/480V HL	10	1200/1800	1200/1800	1200	2000/3000	320/550	3
HE2240H12PT2A	240/480V HL	10	1200/1800	1200/1800	1200	2000/3000	320/550	3
HE2240D12PT1A	240V D	10	-	1200	-	1200	320	4
HE2240D12PT2A	240V D	10	-	1200	-	1200	320	4
HE2480D12PT1A	480V D	10	-	1800	-	3000	550	4
HE2480D12PT2A	480V D	10	-	1800	-	3000	550	4
HE2600D12PT1A	600V D	10	-	2000	-	4000	690	4
HE2600D12PT2A	600V D	10	-	2000	-	4000	690	4

**Note: With TPMOV Combination Per Phase Configuration. See Chart Below.*

Configuration:

	12
TPMOV Combination	50 kA / PHASE



Configure & Ordering Information:

Part Number: HE 2 120 P 12 P T1 A 1 2 3 4 5 6 7 8	3. Voltage Code: 120 127 240 277 347 480 600	4. System Configuration S - Single Phase P - Split Phase Y - WYE H - High Leg Delta D - Delta	5. TP MOV Combination 12
1: Product ID: HE – Hulk Series			6. Material: P - Plastic
2: Series Category: 2 – HE2			7. SPD Type: T1 - Type 1 T2 - Type 2 8. Options: A – Remote Alarm

Basic Circuits:

Fig. 1

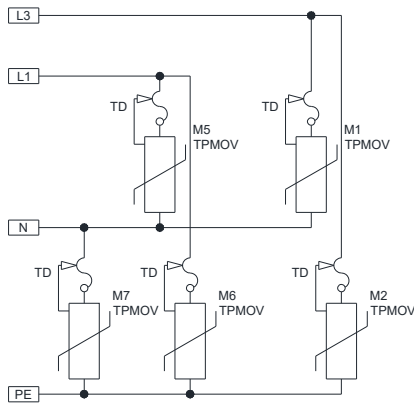


Fig. 2

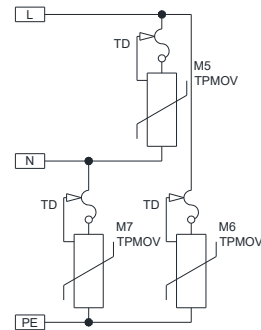


Fig. 3

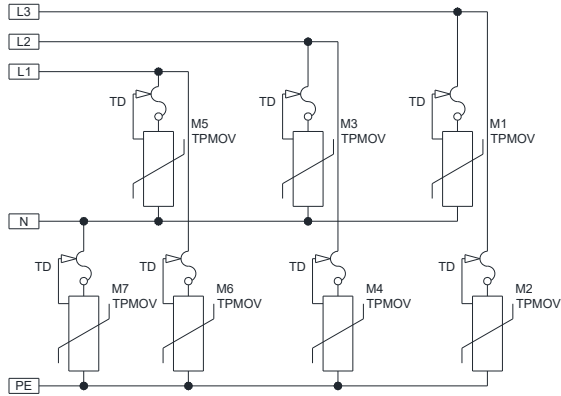
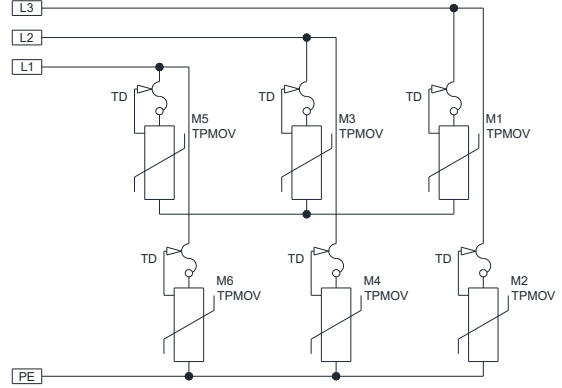
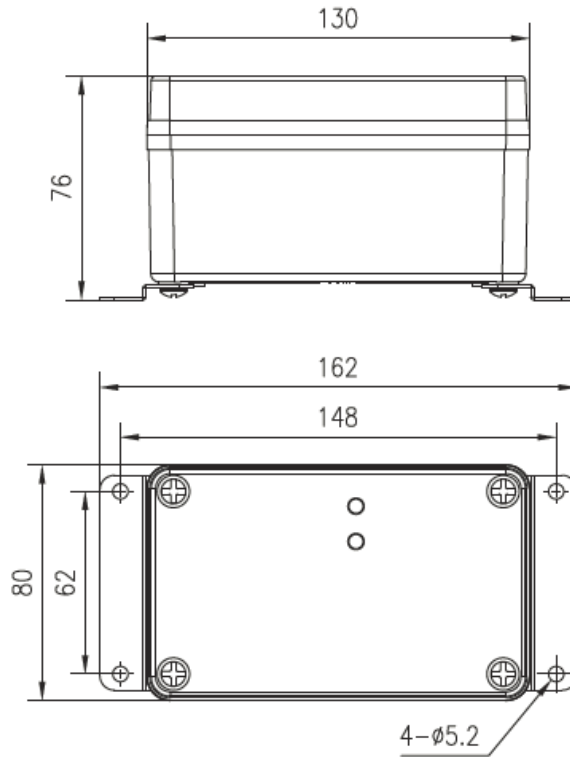


Fig. 4



Dimensions:



Certification:

