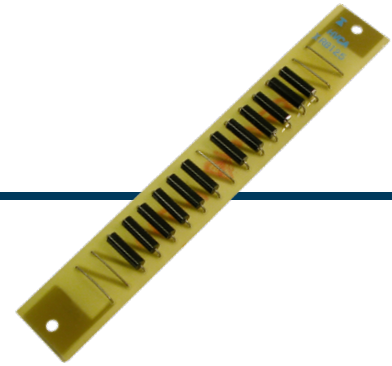




HVB SERIES

75 to 600kV, 220mA, 100nS to Standard Recovery
X-ray Board Rectifiers



Features

- High Voltage, Medium Current Handling Assembly
- Fast Recovery Models Available
- Available in Four Different Configurations

Specifications¹

Part Number	V _{RRM} V	I _{FAVM} mA	V _F V	I _R μA	I _{FSM} A	T _{RR} ² nS	L in.	C in.	D in.
Standard Recovery, Common Anode (N) Center Tap Subseries (Figure 1)									
HVBN75	75000	220	110	2	20	-	6.50	6.17	0.14
HVBN100	100000	220	132	2	20	-	6.50	6.17	0.14
HVBN125	125000	220	143	2	20	-	6.50	6.17	0.14
HVBN150	150000	220	176	2	20	-	6.50	6.17	0.14
Standard Recovery, Common Cathode (P) Center Tap Subseries (Figure 2)									
HVBP75	75000	220	110	2	20	-	6.50	6.17	0.14
HVBP100	100000	220	132	2	20	-	6.50	6.17	0.14
HVBP125	125000	220	143	2	20	-	6.50	6.17	0.14
HVBP150	150000	220	176	2	20	-	6.50	6.17	0.14
Standard Recovery, Doubler-Style Center Tap Subseries (Figure 3)									
HVBD75	75000	220	110	2	20	-	6.50	6.17	0.14
HVBD100	100000	220	132	2	20	-	6.50	6.17	0.14
HVBD125	125000	220	143	2	20	-	6.50	6.17	0.14
HVBD150	150000	220	176	2	20	-	6.50	6.17	0.14
Standard Recovery, Non-Tapped Subseries (Figure 4)									
HVB200	200000	220	300	2	20	-	10.50	10.00	0.15
HVB250	250000	220	360	2	20	-	10.50	10.00	0.15
HVB300	300000	220	360	2	20	-	10.50	10.00	0.15
HVB350	350000	220	390	2	20	-	10.50	10.00	0.15
HVB450	450000	220	480	2	20	-	10.50	10.00	0.15
Fast Recovery, Common Anode (N) Center Tap Subseries (Figure 1)									
HVBFN100	100000	220	242	2	10	100	6.50	6.17	0.14
HVBFN150	150000	220	286	2	10	100	6.50	6.17	0.14
HVBFN200	200000	220	385	2	10	100	6.50	6.17	0.14
Fast Recovery, Common Cathode (P) Center Tap Subseries (Figure 2)									
HVBFP100	100000	220	242	2	10	100	6.50	6.17	0.14
HVBFP150	150000	220	286	2	10	100	6.50	6.17	0.14
HVBFP200	200000	220	385	2	10	100	6.50	6.17	0.14
Fast Recovery, Doubler-Style Center Tap Subseries (Figure 3)									
HVBFD100	100000	220	242	2	10	100	6.50	6.17	0.14
HVBFD150	150000	220	286	2	10	100	6.50	6.17	0.14
HVBFD200	200000	220	385	2	10	100	6.50	6.17	0.14
Fast Recovery, Non-Tapped Subseries (Figure 4)									
HVBF200	200000	220	660	2	10	100	10.50	10.00	0.15
HVBF250	250000	220	660	2	10	100	10.50	10.00	0.15
HVBF300	300000	220	660	2	10	100	10.50	10.00	0.15
HVBF350	350000	220	780	2	10	100	10.50	10.00	0.15
HVBF450	450000	220	780	2	10	100	10.50	10.00	0.15
HVBF600	600000	220	1050	2	10	100	10.50	10.00	0.15



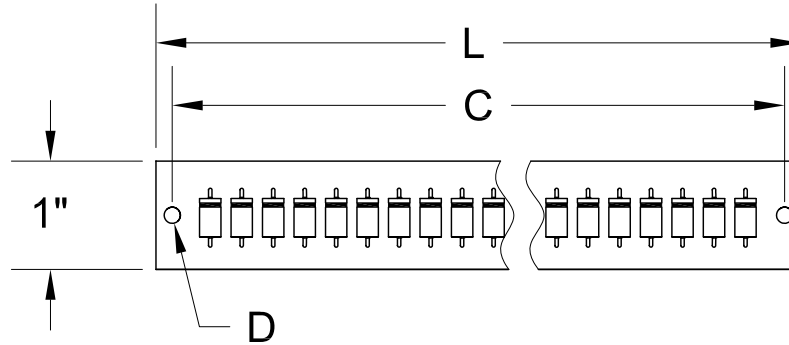
HVB SERIES

Temperature °C	
Operating Temperature	-55 to 125
Storage Temperature	-55 to 150

¹25°C ambient temperature unless stated otherwise

²A “-“ indicates that the component is a standard recovery device and no T_{RR} data is taken.

Drawings

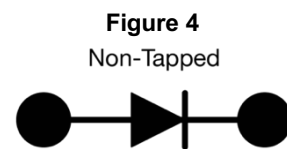
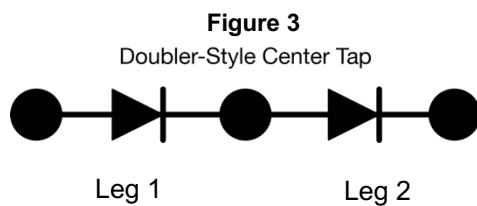
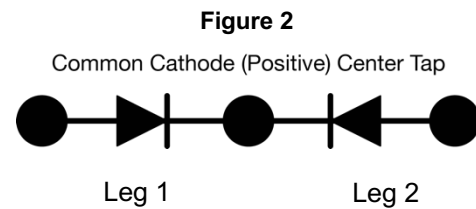
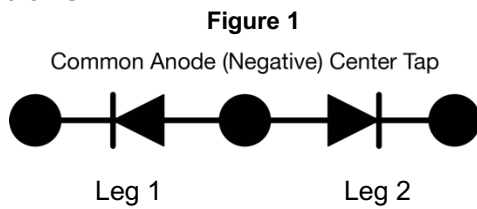


Dimensions in inches, tolerances ± 0.020 except as noted

Specification Definitions

Specifications		Conditions
V_{RRM}	Maximum Repetitive Reverse Voltage	Per Leg
I_{FAVM}	Maximum Average Forward Current	At $T_{OIL} = 55^{\circ}C$, Per Leg
V_F	Maximum Forward Voltage Drop	At I_{FAVM} , Per Leg
I_R	Maximum Leakage Current	At V_{RRM}
I_{FSM}	Maximum Surge Current	At 8.3 mS, Single Half Sine
T_{RR}	Maximum Reverse Recovery Time	$I_F = 40mA$; $I_R = -80mA$; $I_{RR} = -20mA$

Configurations:



Note: Specifications subject to change without notice. Photo is representation only.

