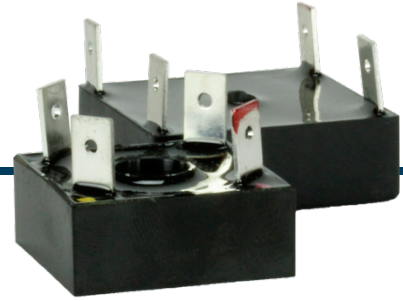




# HVFWB SERIES

5 to 20kV Per Leg, 2 to 5A, Standard Recovery  
Full Wave Bridge Rectifiers



## Features

- Compact High Voltage Single Phase, Full Wave Bridges
- Plastic Case Body, Epoxy Filled, UL94 HB Rated

## Specifications<sup>1</sup>

Part Number	V <sub>RRM</sub> V	I <sub>FAVM</sub> <sup>2</sup> A	V <sub>F</sub> V	I <sub>R</sub> μA	I <sub>FSM</sub> A	L in.	Figure #
2HVFWB5KB	5000	2	4.8	0.5	50	1.25	Figure 1
2HVFWB8KB	8000	2	7.2	0.5	50	1.25	Figure 1
2HVFWB5KC	5000	2	4.8	0.5	50	1.50	Figure 2
2HVFWB10KC	10000	2	8.4	0.5	50	1.50	Figure 2
2HVFWB10KD	10000	2	8.4	0.5	50	2.00	Figure 2
2HVFWB15KD	15000	2	12.0	0.5	50	2.00	Figure 2
2HVFWB15KE	15000	2	12.0	0.5	50	2.50	Figure 2
2HVFWB20KE	20000	2	18.0	0.5	50	2.50	Figure 2
5HVFWB5KC	5000	5	5.2	0.5	150	1.50	Figure 2
5HVFWB7.5KD	7500	5	6.5	0.5	150	2.00	Figure 2
5HVFWB5KE	5000	5	5.2	0.5	150	2.50	Figure 2
5HVFWB10KE	10000	5	10.4	0.5	150	2.50	Figure 2
5HVFWB15KE	15000	5	13.0	0.5	150	2.50	Figure 2

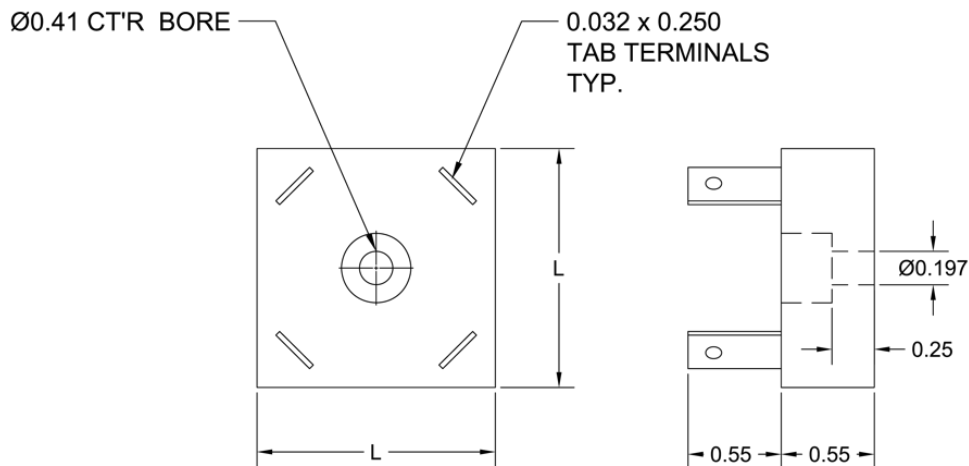
Temperature °C	
Storage Temperature	-65 to 150
Operating Temperature	-65 to 150

<sup>1</sup>25°C ambient temperature unless stated otherwise.

<sup>2</sup>All current ratings require assembly on suitably engineered heat sink using a quality heat coupling compound.

## Drawings

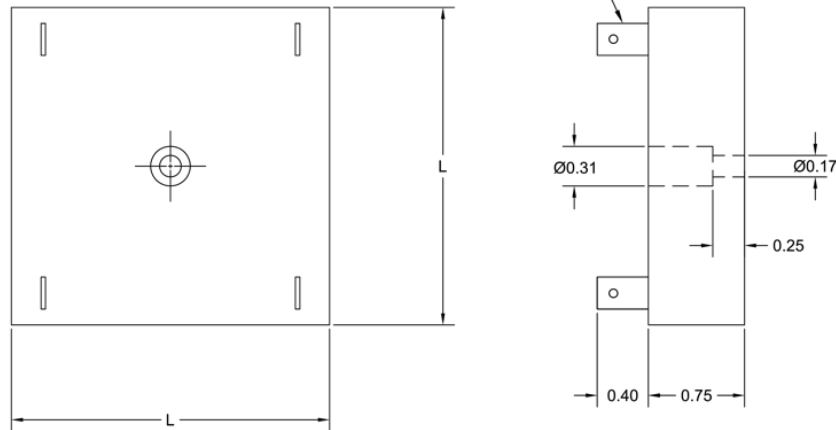
FIG 1





# HVFWB SERIES

**FIG 2**  
0.032 x 0.250  
TAB TERMINALS  
TYP.



Dimensions in inches, tolerances  $\pm 0.020$  except as noted

## Specification Definitions

Specifications		Conditions
<b>V<sub>RRM</sub></b>	Maximum Repetitive Reverse Voltage	Per Leg
<b>I<sub>FAVM</sub></b>	Maximum Average Forward Current	At T <sub>C</sub> = 55°C
<b>V<sub>F</sub></b>	Maximum Forward Voltage Drop	At 0.5 I <sub>FAVM</sub>
<b>I<sub>R</sub></b>	Maximum Leakage Current	At V <sub>RRM</sub>
<b>I<sub>FSM</sub></b>	Maximum Surge Current	At 8.3mS, Single Half Sine

Note: Specifications subject to change without notice. Photo is representation only.

