



HVM40B

Digital High Voltage Meter

Features:

- Measures 500 to 40,000 Volts DC
- Dual range switch provides increased resolution for measuring voltages below 20 kilovolts
- Extremely high input impedance (10 giga-ohms) minimizes circuit loading
- Large LED display
- Advanced solid-state design
- Retractable Flip Feet (standard)
- Retractable Tilt Handle (optional)
- Rack Mount Ears (optional)

Applications:

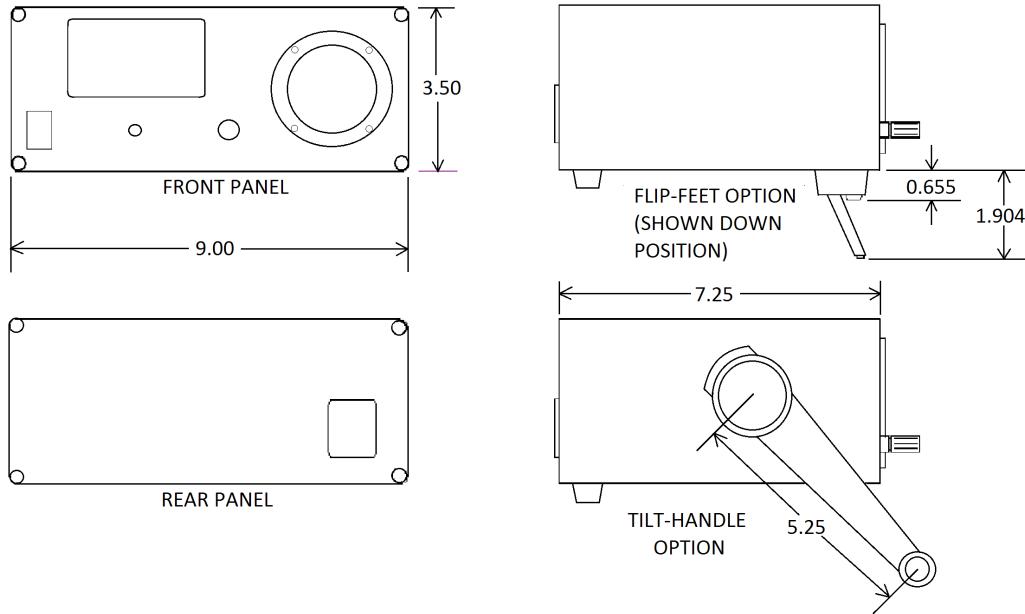
- Laboratory Measurements
- Troubleshooting High Voltage Circuits
- Electrostatic Air Cleaner Service and Maintenance
- Static Power Supply Monitoring



Specifications:

	Conditions	Value	Units
Input Power	50 - 60 Hz, 0.5 Amps max.	100 - 250	VAC
Measured Voltage	DC Only	500 – 40,000	VDC
Input Impedance:		10	G Ohm
Input HV Connector	HV-Insulated 40 kV	F310RX	
Input Return Connector		Binding Post	
Accuracy	2,000 – 40,000 Volts	+/- 0.4	%
Accuracy	500 – 2,000 Volts	+/- 1.0	%
Resolution		4.5	Digits
Sampling Rate		2	Per Second
Display		LED	
Operating Temperature	0 – 80% Relative Humidity	0° to +50°	C
Storage Temperature	0 – 90% Relative Humidity	-25° to +65°	C
Case Dimensions	Imperial	9.0 W x 3.5 H x 7.25 D	Inches
Case Dimensions	Metric	22.86 W x 8.89 H x 18.415 D	cm
Weight	Imperial	4	lbs.
Weight	Metric	1.8	kg
Fuse	Slow Blow	0.5 / 250	A / VAC

Dimensions:



Symbol Definitions:



- Warning: General caution required.



- Ground: Frame or chassis terminal connected to earth ground.

Certifications:



Conforms to UL standards 61010-1 & 61010-2-030. Certified to CSA standard C22.2 numbers 61010-1 & 61010-2-030 Control Number 3097531.

Power Cord Options:



HVM40B-CUS



HVM40B-CGB



HVM40B-CEU



HVM40B-CAS