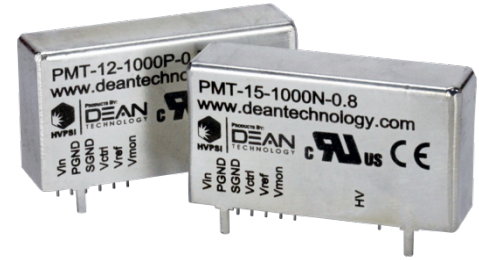




PMT SERIES

600 to 1500V, 0.5 to 1W
Standard DC/DC Modules



Features

- Microsize High Voltage Power Supplies
- Regulated Output Voltage from V_{OUT} Max to True Zero
- Low Ripple
- Indefinite Output Short Circuit Protection
- Reverse Input Protection
- Low-Stored-Energy Design
- UL/cUL Recognized Component; CE Mark (LVD and RoHS)

Specifications

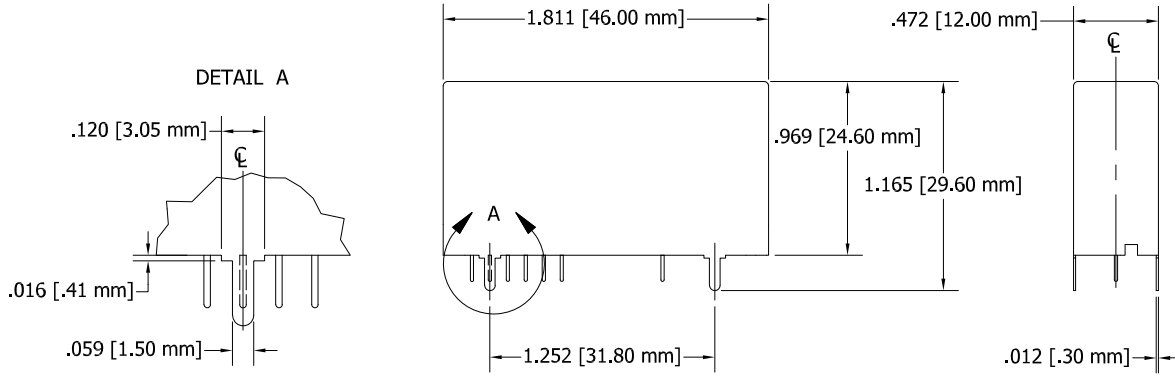
Conditions		Value			Units
Input		0.5W	0.8W	1W	
Voltage	Nominal	+12	+15	+24	VDC
Current	Full Load, Max V_{OUT}	150			mA
Output					
Ripple	Full Load, Max V_{OUT}	<0.01			%Vp-p
Static Load Regulation	No Load to Full Load, Max V_{OUT}	<0.02			%VDC
Line Regulation	Nominal Input, Max V_{OUT} , Full Power	<0.01			%VDC
Programming & Controls					
Adjust Logic (V_{ADJ})	Positive and Negative Models	0 to +5			VDC
Reference Voltage (V_{REF})	Temperature +25°C	+5 ± 0.5%			VDC
Voltage Monitor	-	1			V/kVDC
Environmental					
Operating Temperature ¹	Case Temperature, Full Load, Max V_{OUT}	-10 to +65			°C
Temperature Coefficient	Over the Specified Temperature	0.01			%/°C
Thermal Shock	Mil-Std-810, Method 503-4, Proc. II	-40 to +85			°C
Storage Temperature	Non-Operating, Case Temperature	-40 to +85			°C
Humidity	All Conditions, Standard Package	0 to 95% Non-Condensing			-
Altitude	All Conditions, Standard Package	Sea Level through Vacuum			-
Shock	Mil-Std-810, Method 516.5, Proc IV	20			G
Vibration	Mil-Std-810, Method 514.5, Fig 514.5C-3	10			G

¹Typically, convection cooled. Units operating at full power might require additional cooling to maintain case temperature below 65°C. Damage to the power supply may occur if not appropriately cooled during use.

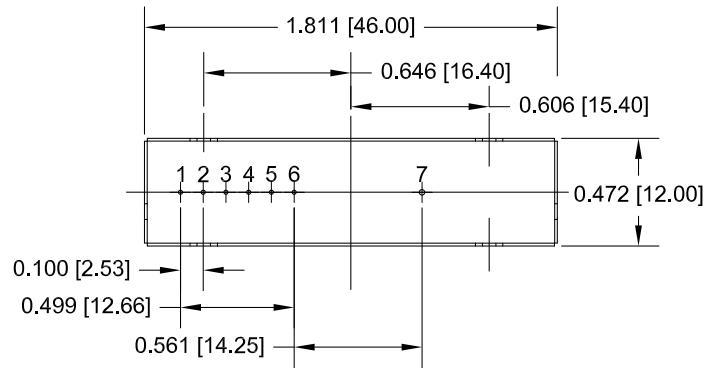
Part Number ²	Output Voltage VDC	Output Current mA	Part Number ²	Output Voltage VDC	Output Current mA	Part Number ²	Output Voltage VDC	Output Current mA
0.5W Models			0.8W Models			1W Models		
PMT-12-600*-0.5	0 to 600	0.83	PMT-15-600*-0.8	0 to 600	1.33	PMT-24-600*-1	0 to 600	1.67
PMT-12-1000*-0.5	0 to 1000	0.50	PMT-15-1000*-0.8	0 to 1000	0.80	PMT-24-1000*-1	0 to 1000	1.00
PMT-12-1250*-0.5	0 to 1250	0.40	PMT-15-1250*-0.8	0 to 1250	0.64	PMT-24-1250*-1	0 to 1250	0.80
PMT-12-1500*-0.5	0 to 1500	0.33	PMT-15-1500*-0.8	0 to 1500	0.53	PMT-24-1500*-1	0 to 1500	0.67

²For "*", substitute "P" for positive output or "N" for negative output

Mechanical Drawings and Pin Assignments



Pin 2 aligns with Tab ±.008



Dimensions in inches [mm]

Mechanical Specifications	
Volume	0.83in ³ [13.6cm ³]
Weight	1.2oz [35g]
Case	Steel
Pins	Size 0.018" [0.46mm] diameter 0.147" [3.74mm] length (Drilling Data for PC Board – Soldering Face)

Pin Assignments & Connections		
Pin 1	VIN	Positive Power Input
Pin 2	PGND	Input Power Ground Return
Pin 3	SGND	Signal Ground Return
Pin 4	VCTRL	Voltage Control
Pin 5	VREF	Voltage Reference
Pin 6	VMON	Output Voltage Monitor
Pin 7	HV	High Voltage Output

Certifications and Compliances

