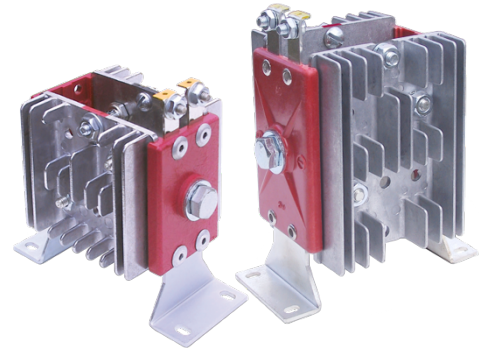




XZ1 SERIES

26 to 120A, 200 to 1600V
Rectipoint Silicon Power Rectifiers



Features

- High Current Assembly
- Three Phase Full Wave Bridge

Specifications

| Part Number | Values | | | | | | | |
|-------------|---|-------------------------------|--------------------------------|---|--------------------------------|--|--|----------|
| | Peak Repetitive Reverse Voltage Per Leg | Maximum Applied Input Voltage | Maximum Leakage Current | Maximum Forward Voltage Drop At 40°C, at Rated Output Current | Maximum Average Output Current | | Maximum Peak Surge Current At 8.3ms, Per Leg | Drawing |
| | V_{RRM} (V) | V_{RMS} (V) | I_R At V_{RRM} , 25°C (µA) | V_F (V) | I_{Odc} At 40°C (A) | I_{Odc} At 40°C, Forced Air Cooling at 800 LFM (A) | I_{FSM} (A) | # |
| X2120Z1B1 | 200 | 90 | 5000 | 1.2 | 26 | 55 | 370 | Figure 1 |
| X2120Z1N1 | 200 | 90 | 5000 | 1.2 | 26 | 55 | 370 | Figure 2 |
| X2140Z1B1 | 400 | 180 | 5000 | 1.2 | 26 | 55 | 370 | Figure 1 |
| X2140Z1N1 | 400 | 180 | 5000 | 1.2 | 26 | 55 | 370 | Figure 2 |
| X2160Z1B1 | 600 | 260 | 5000 | 1.2 | 26 | 55 | 370 | Figure 1 |
| X2160Z1N1 | 600 | 260 | 5000 | 1.2 | 26 | 55 | 370 | Figure 2 |
| X2180Z1B1 | 800 | 377 | 5000 | 1.2 | 26 | 55 | 370 | Figure 1 |
| X2180Z1N1 | 800 | 377 | 5000 | 1.2 | 26 | 55 | 370 | Figure 2 |
| X21100Z1B1 | 1000 | 440 | 5000 | 1.2 | 26 | 55 | 370 | Figure 1 |
| X21100Z1N1 | 1000 | 440 | 5000 | 1.2 | 26 | 55 | 370 | Figure 2 |
| X21120Z1B1 | 1200 | 500 | 5000 | 1.2 | 26 | 55 | 370 | Figure 1 |
| X21120Z1N1 | 1200 | 500 | 5000 | 1.2 | 26 | 55 | 370 | Figure 2 |
| X21140Z1B1 | 1400 | 575 | 5000 | 1.2 | 26 | 55 | 370 | Figure 1 |
| X21140Z1N1 | 1400 | 575 | 5000 | 1.2 | 26 | 55 | 370 | Figure 2 |
| X21160Z1B1 | 1600 | 600 | 5000 | 1.2 | 26 | 55 | 370 | Figure 1 |
| X21160Z1N1 | 1600 | 600 | 5000 | 1.2 | 26 | 55 | 370 | Figure 2 |
| X3420Z1B1 | 200 | 90 | 5000 | 1.2 | 55 | 100 | 1050 | Figure 1 |
| X3420Z1N1 | 200 | 90 | 5000 | 1.2 | 55 | 100 | 1050 | Figure 2 |
| X3440Z1B1 | 400 | 180 | 5000 | 1.2 | 55 | 100 | 1050 | Figure 1 |
| X3440Z1N1 | 400 | 180 | 5000 | 1.2 | 55 | 100 | 1050 | Figure 2 |
| X3460Z1B1 | 600 | 260 | 5000 | 1.2 | 55 | 100 | 1050 | Figure 1 |
| X3460Z1N1 | 600 | 260 | 5000 | 1.2 | 55 | 100 | 1050 | Figure 2 |
| X3480Z1B1 | 800 | 377 | 5000 | 1.2 | 55 | 100 | 1050 | Figure 1 |
| X3480Z1N1 | 800 | 377 | 5000 | 1.2 | 55 | 100 | 1050 | Figure 2 |
| X34100Z1B1 | 1000 | 440 | 5000 | 1.2 | 55 | 100 | 1050 | Figure 1 |
| X34100Z1N1 | 1000 | 440 | 5000 | 1.2 | 55 | 100 | 1050 | Figure 2 |
| X34120Z1B1 | 1200 | 500 | 5000 | 1.2 | 55 | 100 | 1050 | Figure 1 |
| X34120Z1N1 | 1200 | 500 | 5000 | 1.2 | 55 | 100 | 1050 | Figure 2 |
| X34140Z1B1 | 1400 | 575 | 5000 | 1.2 | 55 | 100 | 1050 | Figure 1 |
| X34140Z1N1 | 1400 | 575 | 5000 | 1.2 | 55 | 100 | 1050 | Figure 2 |
| X34160Z1B1 | 1600 | 600 | 5000 | 1.2 | 55 | 100 | 1050 | Figure 1 |
| X34160Z1N1 | 1600 | 600 | 5000 | 1.2 | 55 | 100 | 1050 | Figure 2 |



| Part Number | Values | | | | | | | |
|-------------|---|-------------------------------|--------------------------------|---|--------------------------------|--|--|----------|
| | Peak Repetitive Reverse Voltage Per Leg | Maximum Applied Input Voltage | Maximum Leakage Current | Maximum Forward Voltage Drop At 40°C, at Rated Output Current | Maximum Average Output Current | | Maximum Peak Surge Current At 8.3ms, Per Leg | Drawing |
| | V_{RRM} (V) | V_{RMS} (V) | I_R At V_{RRM} , 25°C (µA) | V_F (V) | I_{Odc} At 40°C (A) | I_{Odc} At 40°C, Forced Air Cooling at 800 LFM (A) | I_{FSM} (A) | # |
| X3720Z1B1 | 200 | 90 | 5000 | 1.2 | 65 | 120 | 1500 | Figure 1 |
| X3720Z1N1 | 200 | 90 | 5000 | 1.2 | 65 | 120 | 1500 | Figure 2 |
| X3740Z1B1 | 400 | 180 | 5000 | 1.2 | 65 | 120 | 1500 | Figure 1 |
| X3740Z1N1 | 400 | 180 | 5000 | 1.2 | 65 | 120 | 1500 | Figure 2 |
| X3760Z1B1 | 600 | 260 | 5000 | 1.2 | 65 | 120 | 1500 | Figure 1 |
| X3760Z1N1 | 600 | 260 | 5000 | 1.2 | 65 | 120 | 1500 | Figure 2 |
| X3780Z1B1 | 800 | 377 | 5000 | 1.2 | 65 | 120 | 1500 | Figure 1 |
| X3780Z1N1 | 800 | 377 | 5000 | 1.2 | 65 | 120 | 1500 | Figure 2 |
| X37100Z1B1 | 1000 | 440 | 5000 | 1.2 | 65 | 120 | 1500 | Figure 1 |
| X37100Z1N1 | 1000 | 440 | 5000 | 1.2 | 65 | 120 | 1500 | Figure 2 |
| X37120Z1B1 | 1200 | 500 | 5000 | 1.2 | 65 | 120 | 1500 | Figure 1 |
| X37120Z1N1 | 1200 | 500 | 5000 | 1.2 | 65 | 120 | 1500 | Figure 2 |
| X37140Z1B1 | 1400 | 575 | 5000 | 1.2 | 65 | 120 | 1500 | Figure 1 |
| X37140Z1N1 | 1400 | 575 | 5000 | 1.2 | 65 | 120 | 1500 | Figure 2 |
| X37160Z1B1 | 1600 | 600 | 5000 | 1.2 | 65 | 120 | 1500 | Figure 1 |
| X37160Z1N1 | 1600 | 600 | 5000 | 1.2 | 65 | 120 | 1500 | Figure 2 |

Note: Fast Recovery and MOV compensation available upon request.

Case Outline and Dimensions

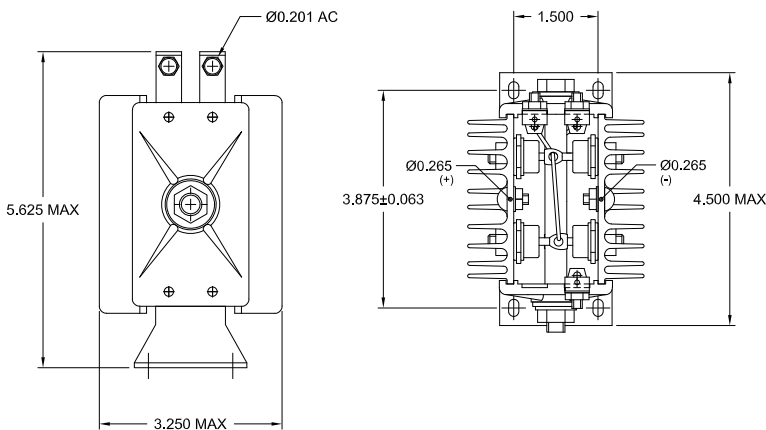


Figure 1
Dimensions in inches

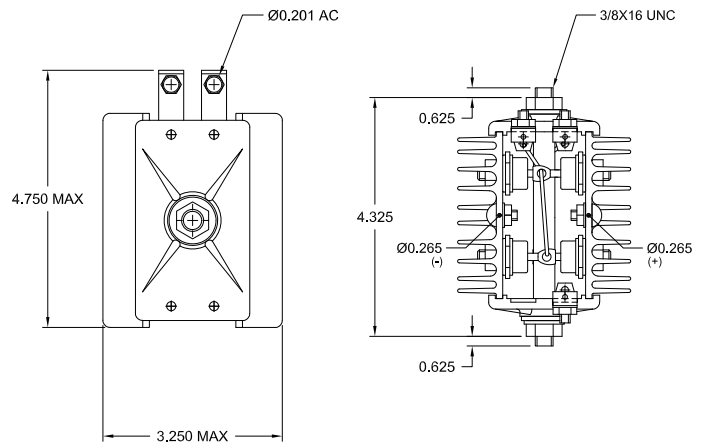


Figure 2
Dimensions in inches



Note: Specifications subject to change without notice. Photo is representation only.