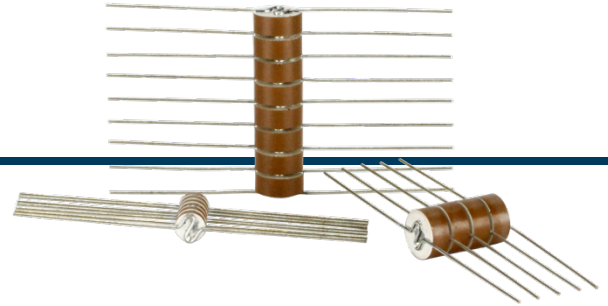




ST1 SERIES

6 to 12kV, 250 to 1000pF
Capacitor Stacks



Features

- Capacitor Stacks with Leads, Class II
- Silver Plated Electrodes
- Use in Oil or Encapsulated
- Multiple Configurations Standard; Custom Versions Available

Specifications

Part Number	C ¹ pF	Tolerance ±%	V _{RATE} ² VDC	V _{WITHSTAND} VDC	# of Discs	L ³ in [mm]	D ³ in [mm]	T ⁴ in [mm]	A ⁵ in [mm]
Y5P Dielectric Subseries									
ST1Y5P251M10KV04	250	20	10000	15000	4	0.78 [19.9]	0.25 [6.5]	0.17 [4.4]	2.75 [70.0]
ST1Y5P251M10KV05	250	20	10000	15000	5	0.97 [24.7]	0.25 [6.5]	0.17 [4.4]	2.75 [70.0]
ST1Y5P251M10KV06	250	20	10000	15000	6	1.16 [29.5]	0.25 [6.5]	0.17 [4.4]	2.75 [70.0]
ST1Y5P251M10KV07	250	20	10000	15000	7	1.35 [34.3]	0.25 [6.5]	0.17 [4.4]	2.75 [70.0]
ST1Y5P251M10KV08	250	20	10000	15000	8	1.54 [39.1]	0.25 [6.5]	0.17 [4.4]	2.75 [70.0]
ST1Y5P251M10KV09	250	20	10000	15000	9	1.73 [43.9]	0.25 [6.5]	0.17 [4.4]	2.75 [70.0]
ST1Y5P251M10KV10	250	20	10000	15000	10	1.92 [48.7]	0.25 [6.5]	0.17 [4.4]	2.75 [70.0]
ST1Y5P251M10KV11	250	20	10000	15000	11	2.10 [53.4]	0.25 [6.5]	0.17 [4.4]	2.75 [70.0]
ST1Y5P251M10KV12	250	20	10000	15000	12	2.29 [58.2]	0.25 [6.5]	0.17 [4.4]	2.75 [70.0]
ST1Y5P251M12KV04	250	20	12000	18000	4	0.87 [22.0]	0.27 [6.9]	0.19 [4.9]	2.75 [70.0]
ST1Y5P251M12KV05	250	20	12000	18000	5	1.08 [27.4]	0.27 [6.9]	0.19 [4.9]	2.75 [70.0]
ST1Y5P251M12KV06	250	20	12000	18000	6	1.29 [32.7]	0.27 [6.9]	0.19 [4.9]	2.75 [70.0]
ST1Y5P251M12KV07	250	20	12000	18000	7	1.50 [38.0]	0.27 [6.9]	0.19 [4.9]	2.75 [70.0]
ST1Y5P251M12KV08	250	20	12000	18000	8	1.71 [43.4]	0.27 [6.9]	0.19 [4.9]	2.75 [70.0]
ST1Y5P251M12KV09	250	20	12000	18000	9	1.92 [48.7]	0.27 [6.9]	0.19 [4.9]	2.75 [70.0]
ST1Y5P251M12KV10	250	20	12000	18000	10	2.13 [54.0]	0.27 [6.9]	0.19 [4.9]	2.75 [70.0]
ST1Y5P251M12KV11	250	20	12000	18000	11	2.34 [59.4]	0.27 [6.9]	0.19 [4.9]	2.75 [70.0]
ST1Y5P251M12KV12	250	20	12000	18000	12	2.55 [64.7]	0.27 [6.9]	0.19 [4.9]	2.75 [70.0]
ST1Y5P501M6KV04	500	20	6000	9000	4	0.41 [10.5]	0.24 [6.2]	0.09 [2.3]	2.75 [70.0]
ST1Y5P501M6KV05	500	20	6000	9000	5	0.51 [12.9]	0.24 [6.2]	0.09 [2.3]	2.75 [70.0]
ST1Y5P501M6KV06	500	20	6000	9000	6	0.61 [15.4]	0.24 [6.2]	0.09 [2.3]	2.75 [70.0]
ST1Y5P501M6KV07	500	20	6000	9000	7	0.70 [17.8]	0.24 [6.2]	0.09 [2.3]	2.75 [70.0]
ST1Y5P501M6KV08	500	20	6000	9000	8	0.80 [20.3]	0.24 [6.2]	0.09 [2.3]	2.75 [70.0]
ST1Y5P501M6KV09	500	20	6000	9000	9	0.89 [22.7]	0.24 [6.2]	0.09 [2.3]	2.75 [70.0]
ST1Y5P501M6KV10	500	20	6000	9000	10	0.99 [25.2]	0.24 [6.2]	0.09 [2.3]	2.75 [70.0]
ST1Y5P501M6KV11	500	20	6000	9000	11	1.09 [27.6]	0.24 [6.2]	0.09 [2.3]	2.75 [70.0]
ST1Y5P501M6KV12	500	20	6000	9000	12	1.18 [30.0]	0.24 [6.2]	0.09 [2.3]	2.75 [70.0]
ST1Y5P501M8KV04	500	20	8000	12000	4	0.51 [13.0]	0.28 [7.1]	0.11 [2.9]	2.75 [70.0]
ST1Y5P501M8KV05	500	20	8000	12000	5	0.63 [16.1]	0.28 [7.1]	0.11 [2.9]	2.75 [70.0]
ST1Y5P501M8KV06	500	20	8000	12000	6	0.75 [19.1]	0.28 [7.1]	0.11 [2.9]	2.75 [70.0]
ST1Y5P501M8KV07	500	20	8000	12000	7	0.87 [22.2]	0.28 [7.1]	0.11 [2.9]	2.75 [70.0]
ST1Y5P501M8KV08	500	20	8000	12000	8	0.99 [25.3]	0.28 [7.1]	0.11 [2.9]	2.75 [70.0]
ST1Y5P501M8KV09	500	20	8000	12000	9	1.12 [28.3]	0.28 [7.1]	0.11 [2.9]	2.75 [70.0]
ST1Y5P501M8KV10	500	20	8000	12000	10	1.24 [31.4]	0.28 [7.1]	0.11 [2.9]	2.75 [70.0]
ST1Y5P501M8KV11	500	20	8000	12000	11	1.36 [34.5]	0.28 [7.1]	0.11 [2.9]	2.75 [70.0]
ST1Y5P501M8KV12	500	20	8000	12000	12	1.48 [37.6]	0.28 [7.1]	0.11 [2.9]	2.75 [70.0]



ST1 SERIES

Part Number	C ¹ pF	Tolerance ±%	V _{RATE} ² VDC	V _{WITHSTAND} VDC	# of Discs	L ³ in [mm]	D ³ in [mm]	T ⁴ in [mm]	A ⁵ in [mm]
Y5P Dielectric Subseries									
ST1Y5P501M10KV04	500	20	10000	15000	4	0.74 [18.9]	0.35 [8.9]	0.17 [4.2]	2.75 [70.0]
ST1Y5P501M10KV05	500	20	10000	15000	5	0.92 [23.4]	0.35 [8.9]	0.17 [4.2]	2.75 [70.0]
ST1Y5P501M10KV06	500	20	10000	15000	6	1.10 [28.0]	0.35 [8.9]	0.17 [4.2]	2.75 [70.0]
ST1Y5P501M10KV07	500	20	10000	15000	7	1.28 [32.5]	0.35 [8.9]	0.17 [4.2]	2.75 [70.0]
ST1Y5P501M10KV08	500	20	10000	15000	8	1.46 [37.0]	0.35 [8.9]	0.17 [4.2]	2.75 [70.0]
ST1Y5P501M10KV09	500	20	10000	15000	9	1.64 [41.6]	0.35 [8.9]	0.17 [4.2]	2.75 [70.0]
ST1Y5P501M10KV10	500	20	10000	15000	10	1.82 [46.1]	0.35 [8.9]	0.17 [4.2]	2.75 [70.0]
ST1Y5P501M10KV11	500	20	10000	15000	11	1.99 [50.7]	0.35 [8.9]	0.17 [4.2]	2.75 [70.0]
ST1Y5P501M10KV12	500	20	10000	15000	12	2.17 [55.2]	0.35 [8.9]	0.17 [4.2]	2.75 [70.0]
ST1Y5P501M12KV04	500	20	12000	18000	4	0.86 [21.9]	0.39 [10.0]	0.19 [4.9]	2.75 [70.0]
ST1Y5P501M12KV05	500	20	12000	18000	5	1.07 [27.2]	0.39 [10.0]	0.19 [4.9]	2.75 [70.0]
ST1Y5P501M12KV06	500	20	12000	18000	6	1.28 [32.5]	0.39 [10.0]	0.19 [4.9]	2.75 [70.0]
ST1Y5P501M12KV07	500	20	12000	18000	7	1.49 [37.8]	0.39 [10.0]	0.19 [4.9]	2.75 [70.0]
ST1Y5P501M12KV08	500	20	12000	18000	8	1.70 [43.1]	0.39 [10.0]	0.19 [4.9]	2.75 [70.0]
ST1Y5P501M12KV09	500	20	12000	18000	9	1.91 [48.4]	0.39 [10.0]	0.19 [4.9]	2.75 [70.0]
ST1Y5P501M12KV10	500	20	12000	18000	10	2.11 [53.7]	0.39 [10.0]	0.19 [4.9]	2.75 [70.0]
ST1Y5P501M12KV11	500	20	12000	18000	11	2.32 [59.0]	0.39 [10.0]	0.19 [4.9]	2.75 [70.0]
ST1Y5P501M12KV12	500	20	12000	18000	12	2.53 [64.3]	0.39 [10.0]	0.19 [4.9]	2.75 [70.0]
ST1Y5P102M6KV04	1000	20	6000	9000	4	0.42 [10.7]	0.34 [8.7]	0.09 [2.3]	2.75 [70.0]
ST1Y5P102M6KV05	1000	20	6000	9000	5	0.52 [13.1]	0.34 [8.7]	0.09 [2.3]	2.75 [70.0]
ST1Y5P102M6KV06	1000	20	6000	9000	6	0.62 [15.6]	0.34 [8.7]	0.09 [2.3]	2.75 [70.0]
ST1Y5P102M6KV07	1000	20	6000	9000	7	0.71 [18.1]	0.34 [8.7]	0.09 [2.3]	2.75 [70.0]
ST1Y5P102M6KV08	1000	20	6000	9000	8	0.81 [20.6]	0.34 [8.7]	0.09 [2.3]	2.75 [70.0]
ST1Y5P102M6KV09	1000	20	6000	9000	9	0.91 [23.1]	0.34 [8.7]	0.09 [2.3]	2.75 [70.0]
ST1Y5P102M6KV10	1000	20	6000	9000	10	1.01 [25.6]	0.34 [8.7]	0.09 [2.3]	2.75 [70.0]
ST1Y5P102M6KV11	1000	20	6000	9000	11	1.11 [28.1]	0.34 [8.7]	0.09 [2.3]	2.75 [70.0]
ST1Y5P102M6KV12	1000	20	6000	9000	12	1.20 [30.6]	0.34 [8.7]	0.09 [2.3]	2.75 [70.0]
ST1Y5P102M8KV04	1000	20	8000	12000	4	0.50 [12.7]	0.39 [9.9]	0.11 [2.8]	2.75 [70.0]
ST1Y5P102M8KV05	1000	20	8000	12000	5	0.62 [15.7]	0.39 [9.9]	0.11 [2.8]	2.75 [70.0]
ST1Y5P102M8KV06	1000	20	8000	12000	6	0.73 [18.7]	0.39 [9.9]	0.11 [2.8]	2.75 [70.0]
ST1Y5P102M8KV07	1000	20	8000	12000	7	0.85 [21.7]	0.39 [9.9]	0.11 [2.8]	2.75 [70.0]
ST1Y5P102M8KV08	1000	20	8000	12000	8	0.97 [24.7]	0.39 [9.9]	0.11 [2.8]	2.75 [70.0]
ST1Y5P102M8KV09	1000	20	8000	12000	9	1.09 [27.6]	0.39 [9.9]	0.11 [2.8]	2.75 [70.0]
ST1Y5P102M8KV10	1000	20	8000	12000	10	1.21 [30.6]	0.39 [9.9]	0.11 [2.8]	2.75 [70.0]
ST1Y5P102M8KV11	1000	20	8000	12000	11	1.32 [33.6]	0.39 [9.9]	0.11 [2.8]	2.75 [70.0]
ST1Y5P102M8KV12	1000	20	8000	12000	12	1.44 [36.6]	0.39 [9.9]	0.11 [2.8]	2.75 [70.0]
Z5U Dielectric Subseries									
ST1Z5U251M10KV04	250	20	10000	15000	4	0.76 [19.3]	0.26 [6.5]	0.17 [4.2]	2.75 [70.0]
ST1Z5U251M10KV05	250	20	10000	15000	5	0.94 [23.9]	0.26 [6.5]	0.17 [4.2]	2.75 [70.0]
ST1Z5U251M10KV06	250	20	10000	15000	6	1.12 [28.5]	0.26 [6.5]	0.17 [4.2]	2.75 [70.0]
ST1Z5U251M10KV07	250	20	10000	15000	7	1.31 [33.2]	0.26 [6.5]	0.17 [4.2]	2.75 [70.0]
ST1Z5U251M10KV08	250	20	10000	15000	8	1.49 [37.8]	0.26 [6.5]	0.17 [4.2]	2.75 [70.0]
ST1Z5U251M10KV09	250	20	10000	15000	9	1.67 [42.5]	0.26 [6.5]	0.17 [4.2]	2.75 [70.0]
ST1Z5U251M10KV10	250	20	10000	15000	10	1.85 [47.1]	0.26 [6.5]	0.17 [4.2]	2.75 [70.0]
ST1Z5U251M10KV11	250	20	10000	15000	11	2.04 [51.8]	0.26 [6.5]	0.17 [4.2]	2.75 [70.0]
ST1Z5U251M10KV12	250	20	10000	15000	12	2.22 [56.4]	0.26 [6.5]	0.17 [4.2]	2.75 [70.0]



ST1 SERIES

Part Number	C ¹ pF	Tolerance ±%	V _{RATE} ² VDC	V _{WITHSTAND} VDC	# of Discs	L ³ in [mm]	D ³ in [mm]	T ⁴ in [mm]	A ⁵ in [mm]
Z5U Dielectric Subseries									
ST1Z5U251M12KV04	250	20	12000	18000	4	0.86 [21.7]	0.28 [7.0]	0.19 [4.8]	2.75 [70.0]
ST1Z5U251M12KV05	250	20	12000	18000	5	1.06 [27.0]	0.28 [7.0]	0.19 [4.8]	2.75 [70.0]
ST1Z5U251M12KV06	250	20	12000	18000	6	1.27 [32.2]	0.28 [7.0]	0.19 [4.8]	2.75 [70.0]
ST1Z5U251M12KV07	250	20	12000	18000	7	1.48 [37.5]	0.28 [7.0]	0.19 [4.8]	2.75 [70.0]
ST1Z5U251M12KV08	250	20	12000	18000	8	1.68 [42.7]	0.28 [7.0]	0.19 [4.8]	2.75 [70.0]
ST1Z5U251M12KV09	250	20	12000	18000	9	1.89 [48.0]	0.28 [7.0]	0.19 [4.8]	2.75 [70.0]
ST1Z5U251M12KV10	250	20	12000	18000	10	2.10 [53.3]	0.28 [7.0]	0.19 [4.8]	2.75 [70.0]
ST1Z5U251M12KV11	250	20	12000	18000	11	2.30 [58.5]	0.28 [7.0]	0.19 [4.8]	2.75 [70.0]
ST1Z5U251M12KV12	250	20	12000	18000	12	2.51 [63.8]	0.28 [7.0]	0.19 [4.8]	2.75 [70.0]
ST1Z5U102M10KV04	1000	20	10000	15000	4	0.78 [19.9]	0.30 [7.6]	0.17 [4.3]	2.75 [70.0]
ST1Z5U102M10KV05	1000	20	10000	15000	5	0.97 [24.7]	0.30 [7.6]	0.17 [4.3]	2.75 [70.0]
ST1Z5U102M10KV06	1000	20	10000	15000	6	1.16 [29.4]	0.30 [7.6]	0.17 [4.3]	2.75 [70.0]
ST1Z5U102M10KV07	1000	20	10000	15000	7	1.35 [34.2]	0.30 [7.6]	0.17 [4.3]	2.75 [70.0]
ST1Z5U102M10KV08	1000	20	10000	15000	8	1.54 [39.0]	0.30 [7.6]	0.17 [4.3]	2.75 [70.0]
ST1Z5U102M10KV09	1000	20	10000	15000	9	1.73 [43.8]	0.30 [7.6]	0.17 [4.3]	2.75 [70.0]
ST1Z5U102M10KV10	1000	20	10000	15000	10	1.91 [48.6]	0.30 [7.6]	0.17 [4.3]	2.75 [70.0]
ST1Z5U102M10KV11	1000	20	10000	15000	11	2.10 [53.4]	0.30 [7.6]	0.17 [4.3]	2.75 [70.0]
ST1Z5U102M10KV12	1000	20	10000	15000	12	2.29 [58.2]	0.30 [7.6]	0.17 [4.3]	2.75 [70.0]
ST1Z5U102M12KV04	1000	20	12000	18000	4	0.89 [22.5]	0.31 [8.0]	0.19 [4.9]	2.75 [70.0]
ST1Z5U102M12KV05	1000	20	12000	18000	5	1.10 [27.9]	0.31 [8.0]	0.19 [4.9]	2.75 [70.0]
ST1Z5U102M12KV06	1000	20	12000	18000	6	1.31 [33.4]	0.31 [8.0]	0.19 [4.9]	2.75 [70.0]
ST1Z5U102M12KV07	1000	20	12000	18000	7	1.53 [38.8]	0.31 [8.0]	0.19 [4.9]	2.75 [70.0]
ST1Z5U102M12KV08	1000	20	12000	18000	8	1.74 [44.3]	0.31 [8.0]	0.19 [4.9]	2.75 [70.0]
ST1Z5U102M12KV09	1000	20	12000	18000	9	1.96 [49.7]	0.31 [8.0]	0.19 [4.9]	2.75 [70.0]
ST1Z5U102M12KV10	1000	20	12000	18000	10	2.17 [55.2]	0.31 [8.0]	0.19 [4.9]	2.75 [70.0]
ST1Z5U102M12KV11	1000	20	12000	18000	11	2.39 [60.6]	0.31 [8.0]	0.19 [4.9]	2.75 [70.0]
ST1Z5U102M12KV12	1000	20	12000	18000	12	2.60 [66.1]	0.31 [8.0]	0.19 [4.9]	2.75 [70.0]

¹Capacitance per disc with a 20% tolerance.

²Rated voltage per disc, dielectric withstand 150% of rated.

³Maximum dimension.

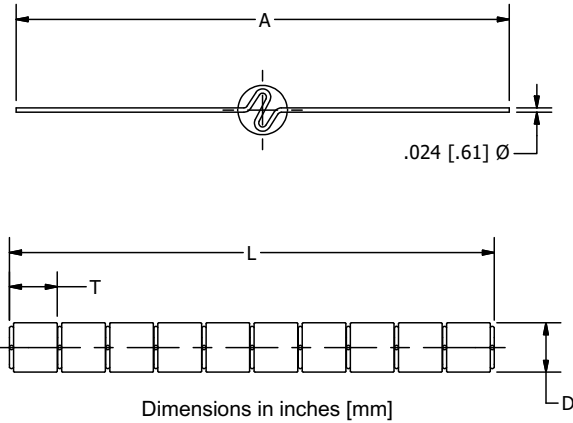
⁴T has a ±10% tolerance.

⁵A has a ±0.040in [1.02mm] tolerance.

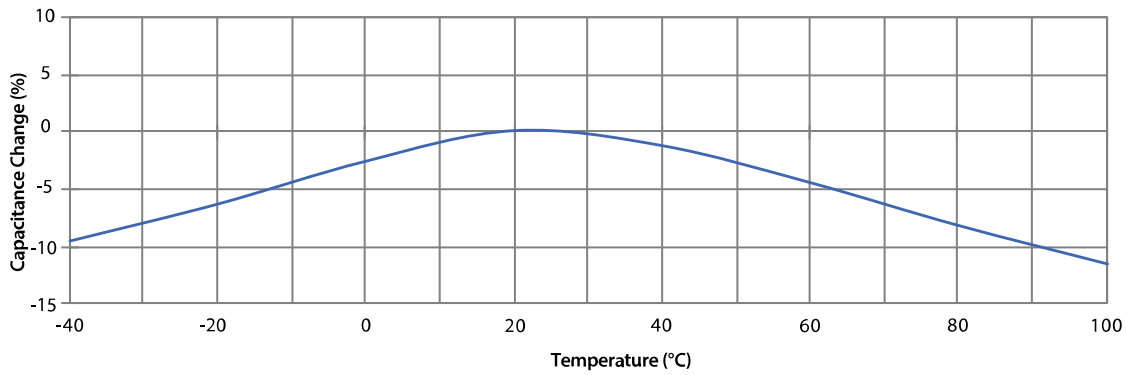


ST1 SERIES

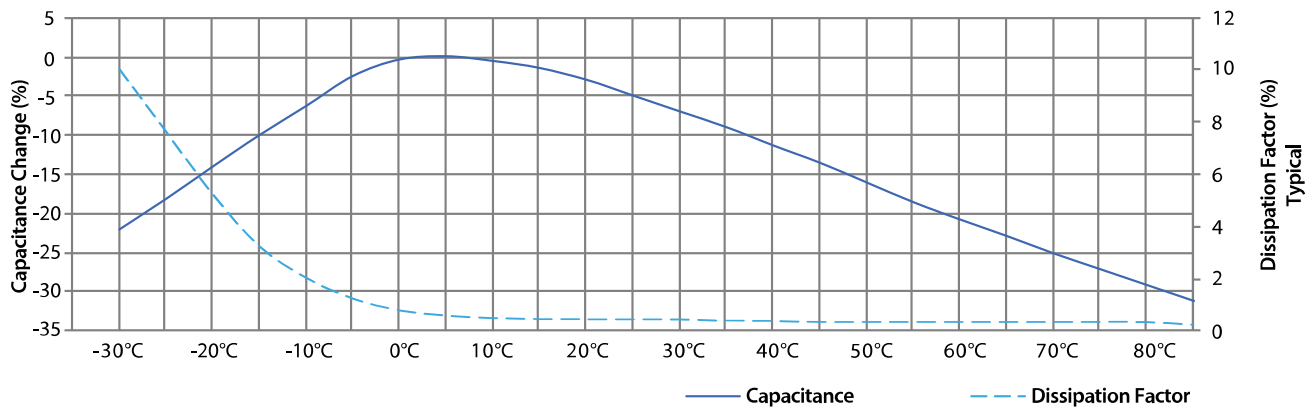
Drawings



Y5P TYPICAL TEMPERATURE CHARACTERISTICS CURVE



Z5U TYPICAL TEMPERATURE AND DISSIPATION CHARACTERISTICS CURVE



Note: Specifications subject to change without notice. Photo is representation only.

