



Z40RD SERIES

Metal Oxide Varistor

Features:

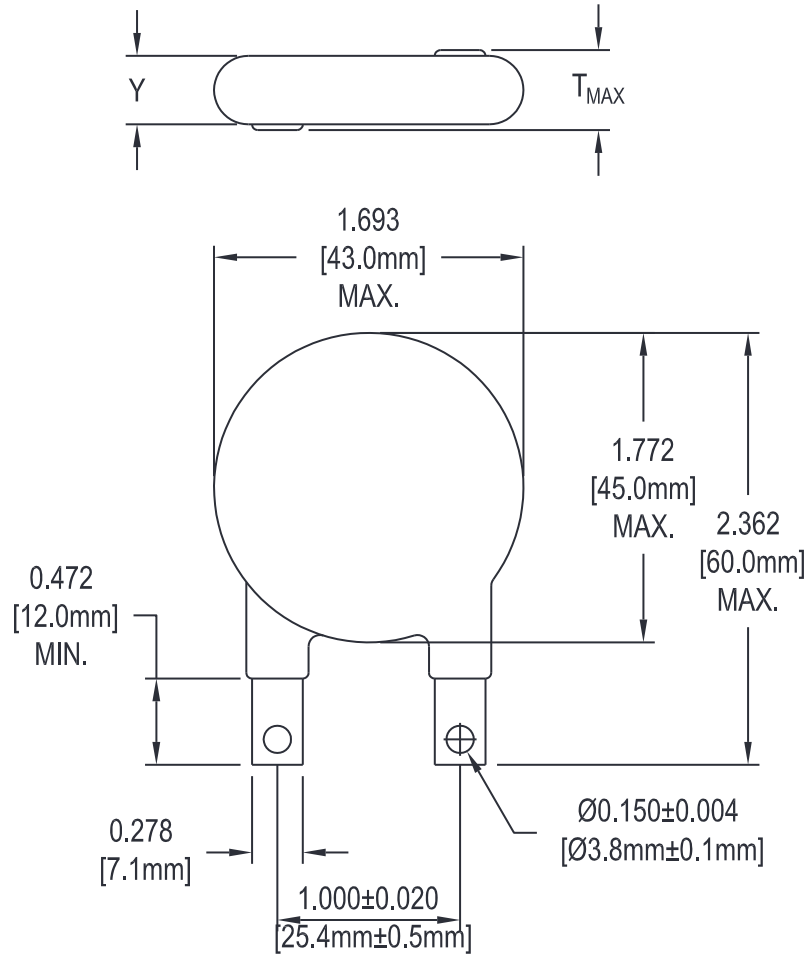
- High Current Surge Rating
- Easy Tabbed Connections
- Maximum Power Dissipation: 1.4 watts
- Typical Response Time is Less than 15 Nanoseconds



ELECTRICAL CHARACTERISTICS AND RATINGS

Part Number	Max Allowable Voltage		Varistor Voltage @1 mA (V)	Clamping Voltage (Max)		Max Peak Current (8/20µs)		Max Energy (Joules) 10/1000 µs	Typical Capacitance @1kHz (pf)	T _{MAX} mm	Y ± 1mm mm
	AC _{RMS} (V)	DC (V)		V _C (V)	I _P (A)	1 Time	2 Times				
							(A)				
Z40RD201	130	170	205(185-225)	340	300	40000	25000	310	8600	6.8	4.9
Z40RD241	150	200	240(216-264)	395	300	40000	25000	360	7200	7.0	5.1
Z40RD271	175	225	270(243-297)	455	300	40000	25000	390	6000	7.1	5.2
Z40RD331	210	275	330(297-363)	550	300	40000	25000	460	5400	7.3	5.4
Z40RD361	230	300	360(324-396)	595	300	40000	25000	475	4800	7.5	5.6
Z40RD391	250	320	390(351-429)	650	300	40000	25000	490	4400	7.7	5.8
Z40RD431	275	350	430(387-473)	710	300	40000	25000	550	4100	7.9	6.0
Z40RD471	300	385	470(423-517)	775	300	40000	25000	600	3600	8.1	6.2
Z40RD511	320	415	510(459-561)	845	300	40000	25000	640	3400	8.4	6.5
Z40RD561	350	460	560(504-616)	950	300	40000	25000	710	3100	8.7	6.8
Z40RD621	385	505	620(558-682)	1025	300	40000	25000	720	2800	9.0	7.1
Z40RD681	420	560	680(612-748)	1120	300	40000	25000	750	2600	9.4	7.5
Z40RD751	460	615	750(675-825)	1240	300	40000	25000	780	2400	9.8	7.9
Z40RD781	485	640	780(702-858)	1290	300	40000	25000	820	2270	10.0	8.0
Z40RD821	510	670	820(738-902)	1355	300	40000	25000	900	2160	10.2	8.3
Z40RD911	550	745	910(819-1001)	1500	300	40000	25000	960	1940	10.7	8.8
Z40RD951	575	765	950(855-1045)	1570	300	40000	25000	1000	1800	11.0	9.0
Z40RD102	625	825	1000(900-1100)	1650	300	40000	25000	1055	1730	11.2	9.3
Z40RD112	680	895	1100(990-1210)	1815	300	40000	25000	1155	1620	11.7	9.8
Z40RD122	750	970	1200(1062-1300)	2100	300	40000	25000	1200	1400	12.8	10.9
Z40RD142	880	1150	1400(1245-1520)	2290	300	40000	25000	1300	1200	13.8	11.9
Z40RD162	1000	1200	1600(1414-1728)	2700	300	40000	25000	1400	1080	14.9	13.0
Z40RD182	1000	1465	1800(1620-1980)	2970	300	40000	25000	1500	1000	16.0	14.0

CASE OUTLINE AND DIMENSIONS





CHARACTERISTICS CURVES

