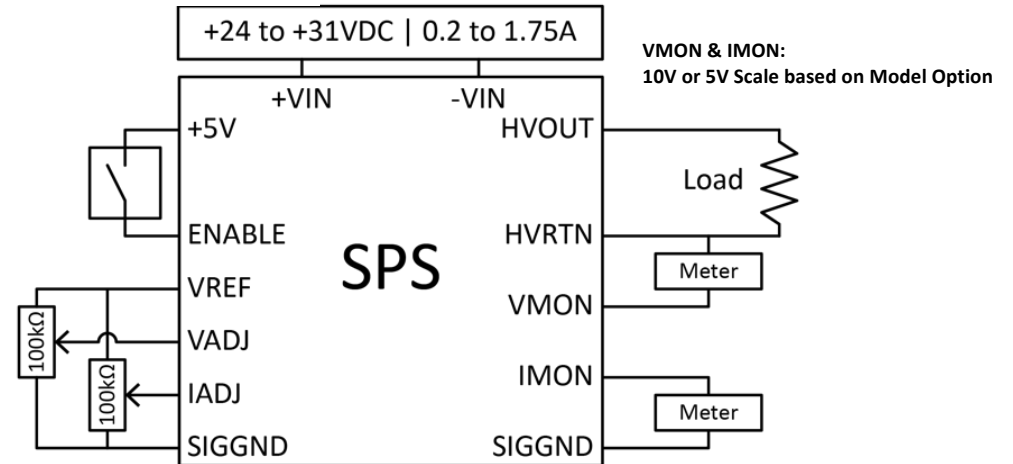


# SPS - ANALOG QUICK START GUIDE

## CONNECTING THE UNIT

1. Connect load to **HVOUT** and **HVRTN**
2. Connect multimeter to **VMON** and **HVRTN**
3. Connect multimeter to **IMON** and **SIGGND**
4. Connect power to **+VIN** and ground to **-VIN**
5. Connection to adjust high voltage output:
  - a. *Option 1* – A 0 to 5V or 0 to 10V, based on model, power supply connected to **VADJ**, **IADJ**, and **SIGGND**
  - b. *Option 2* – Two potentiometers (10 to 100k) connected between **VREF** and **SIGGND** with wipers connected to **VADJ** and **IADJ**

## CONNECTION DIAGRAM



## OPERATING THE UNIT

1. Power on unit: unit is default enabled
  - a. Apply 24V to **VIN**
2. Adjust output voltage:
  - a. Adjust output voltage **HVOUT** using **VADJ**
  - b. 0.0 to 4.4V or 0.0 to 9.0V for 0 to 100% output ( $\pm 2\%$ ), based on model
3. Set current limit:
  - a. Adjust output current **IMON** using **IADJ**
  - b. 0.0 to 4.4V or 0.0 to 9.0V for 0 to 100% output ( $\pm 2\%$ ), based on model
4. Enable Output:
  - a. Connect **ENABLE** to **+5V**
5. Observe output:
  - a. Output voltage observed at the **VMON**
  - b. Output current observed at the **IMON** (see datasheet for scaling)

## PIN LAYOUT

