

SPS - DIGITAL QUICK START GUIDE

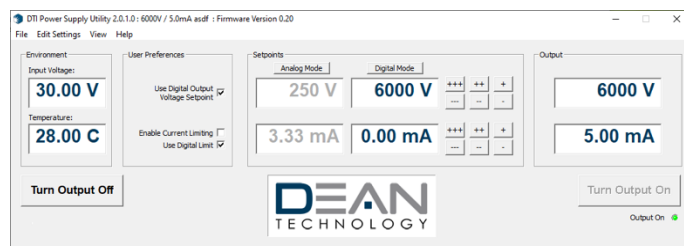
CONNECTING THE UNIT

1. Connect load to **HVOUT** and **HVRTN**
2. Connect FTDI cable to pins 23 to 28 with pin 1 of FTDI cable on pin 28
3. In the computer's Control Panel, under the Device Manager, select the arrow next to Ports (COM & LPT) to show active ports.
4. Identify the communication port number used by the "USB Serial Port" identifier.
5. In the DTI Power Supply Utility, select **Edit Settings** in menu bar. Select Open Serial Port and enter port number found in step 4

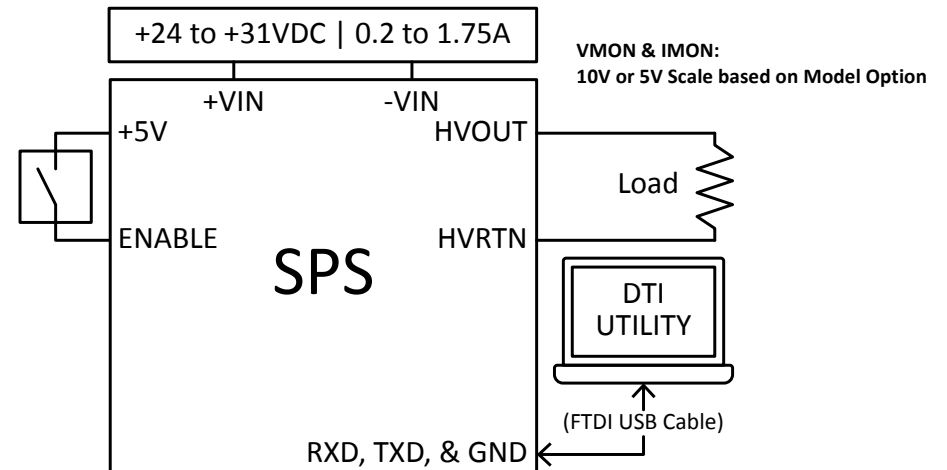
OPERATING THE UNIT

1. Power on unit: unit is default enabled
 - a. Apply 24V to **VIN**
2. Adjust output voltage:
 - a. Select Digital Mode in the Utility
 - b. Adjust output voltage setpoint by typing in voltage number or clicking + or - buttons
3. Set current limit:
 - a. Select Digital Mode in the Utility
 - Adjust current limit setpoint by typing in current number or clicking + or - buttons
4. Enable Output:
 - a. Connect **ENABLE** to **+5V**
 - b. Select button **Turn Output On** in the Utility
5. Observe output:
 - a. Output voltage observed in the Output section of the Utility

DTI POWER SUPPLY UTILITY



CONNECTION DIAGRAM



PIN LAYOUT

