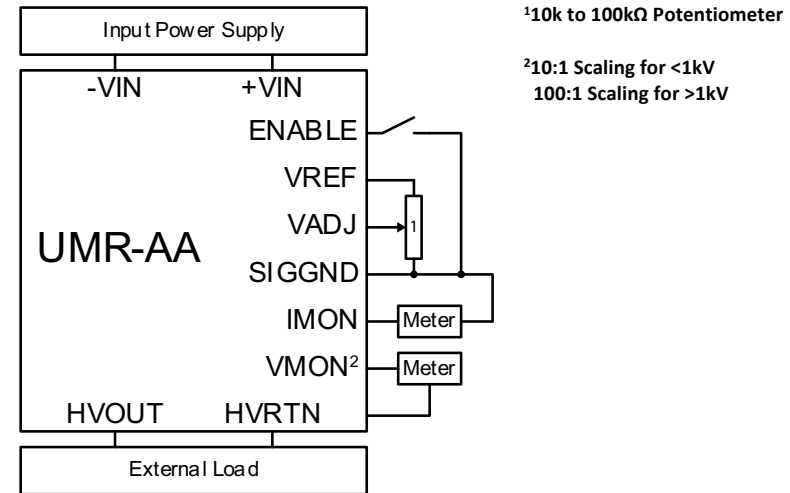


# UMR-AA QUICK START GUIDE

## CONNECTING THE UNIT

1. Connect load to **HVOUT** and **HVRTN**
2. Connect multimeter to **VMON** and **HVRTN**
3. Connect multimeter to **IMON** and **SIGGND**
4. Connect power to **+VIN** and ground to **-VIN**
5. Connection to adjust high voltage output:
  - Option 1: A 0 to 5V power supply connected to **VADJ** and **SIGGND**
  - Option 2: A potentiometer (10 to 100k) connected between **VREF** and **SIGGND** with wiper connected to **VADJ**

## CONNECTION DIAGRAM



## OPERATING THE UNIT

1. Power on unit: unit is default enabled
  - 4W Units: apply 12V to **VIN**
  - 20W & 30W Units: apply 24V to **VIN**
2. Adjust output voltage **HVOUT** using **VADJ**
  - Positive units: 0.0 to 4.7V for 0% to 100% output
  - Negative Units: 5.0V to 0.3V for 0% to 100% output
3. Observe output:
  - Output voltage observed at the **VMON** (10:1 <1kV or 100:1 ≥1kV)
  - Output current observed at **IMON** (see datasheet for scaling)

## PIN LAYOUT



**NOTE:** Some products might have IMON labeled as IOUT, VADJ labeled as RMTADJ